












USER MANUAL
HM80M
Portable Height Meter



Please keep the instruction manual at hand all the time for future reference.

Explanation of Graphic Symbols on Label/Packaging

	<p>Caution, consult accompanying documents before use</p>		<p>Authorized representative in the European Community</p>
	<p>Manufacturer of medical device</p>		<p>Indicates that device conforms to Regulation (EU) 2017/745. Four digit number refers to Notified Body.</p>
	<p>Manufacturing year of medical device</p>		<p>Indicates that device is a medical device</p>
	<p>Device catalogue number</p>		<p>Serial number</p>
	<p>Manufacturer's batch or lot number</p>		<p>Unique Device Identifier</p>
	<p>Carefully read user manual before installation and usage, and follow instructions for use.</p>		

Copyright Notice

Charder Electronic Co., Ltd.

No.103, Guozhong Rd., Dali Dist., Taichung City 41262 Taiwan

Tel: +886-4-2406 3766

Fax: +886-4-2406 5612

Website: www.chardermedical.com E-mail: info_cec@charder.com.tw

Copyright© Charder Electronic Co., Ltd. All rights reserved.

This user manual is protected by international copyright law. All content is licensed, and usage is subject to written authorization from Charder Electronic Co., Ltd. (hereinafter Charder) Charder is not liable for any damage caused by a failure to adhere to requirements stated in this manual. Charder reserves the right to correct misprints in the manual without prior notice, and modify the exterior of the device for quality purposes without customer consent.



Charder Electronic Co., Ltd.
No. 103, Guozhong Rd., Dali Dist.,
Taichung City, 41262 Taiwan

CONTENTS

I. Safety Notes	5
A. General Information	錯誤! 尚未定義書籤。
II. Installation	6
A. Attaching head stopper.....	6
B. Assembly with Infant Scale (removable measurement tray)	6
C. Assembly with MS5900 Infant Scale	7
D. Assembly with MS2400 Infant Scale	10
III. Using Device	12
A. Performing measurement.....	12
IV. Product Specifications	13
A. Device Information	錯誤! 尚未定義書籤。
V. Declaration of Conformity	16



I. Safety Notes

A. General Information

Thank you for choosing this Charder Medical device. It is designed to be easy and straightforward to operate, but if you encounter any problems not addressed in this manual, please contact your local Charder service partner.

Before beginning operation of the device, please read this user manual carefully, and keep it in a safe place for reference. It contains important instructions regarding installation, proper usage, and maintenance.

Intended Use

This device is intended to measure the height of subjects, for diagnosis of height-related issues by professionals.

General Handling

- Device should be placed on stable, flat, solid, non-slippery surface.
- Ensure all parts are properly locked and tightened before operating the device.

Safety Instructions

- Expected service life: 5 years.

Cleaning

- Device surface should be cleaned using alcohol-based wipes. Corrosive cleansing liquids should not be used. Pressure-washers should not be used.

Warranty/Liability

- The period of warranty shall be eighteen (18) months, beginning on the date of purchase. Please retain your receipt as proof of purchase.
- No responsibility shall be accepted for damage caused through any of the following reasons: unsuitable or improper storage or use, incorrect installation or commissioning by the owner or third parties, natural wear and tear, changes or modifications, incorrect or negligent handling.

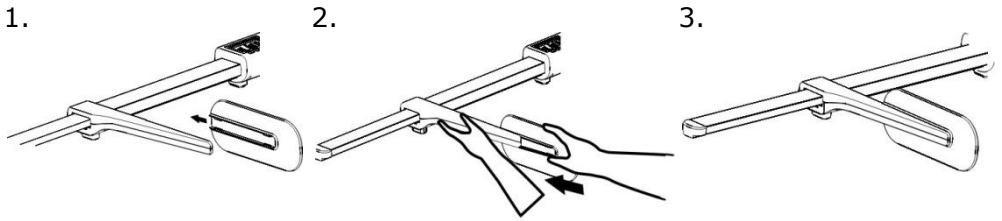
Incident Reporting

- Any serious incident that has occurred in relation to the device should be reported to the manufacturer, EU representative (if device is used in EU member state), and competent authority of user/subject's member state.

II. Installation

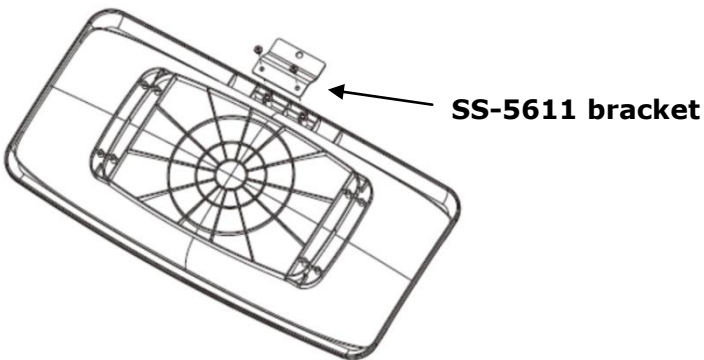
A. Attaching head stopper

If head stopper is loose, please assemble as seen below:

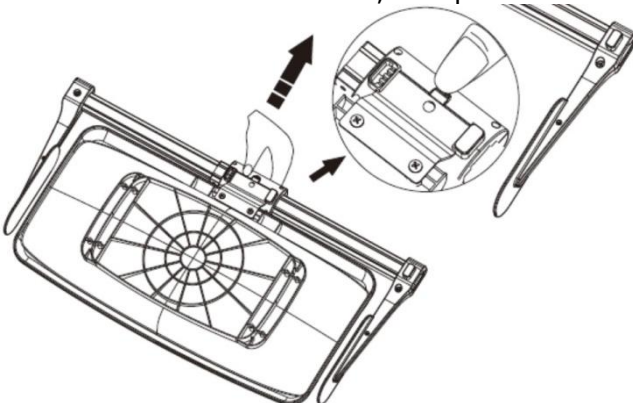


B. Assembly with Infant Scale (removable measurement tray)

1. Attach bracket to tray using bracket screws*2

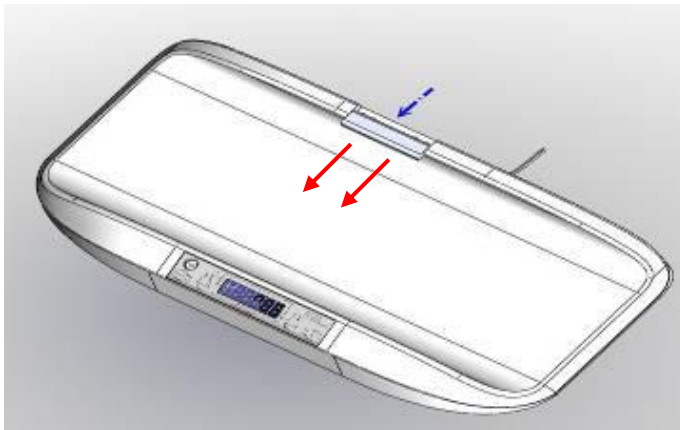


2. Slide HM80M onto bracket, and press buckle to secure

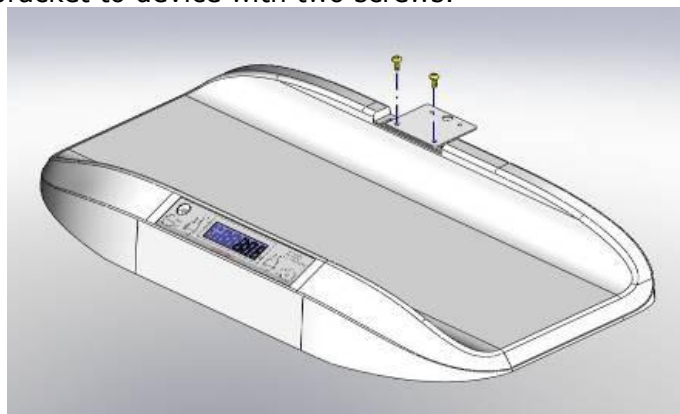


C. Assembly with MS5900 Infant Scale

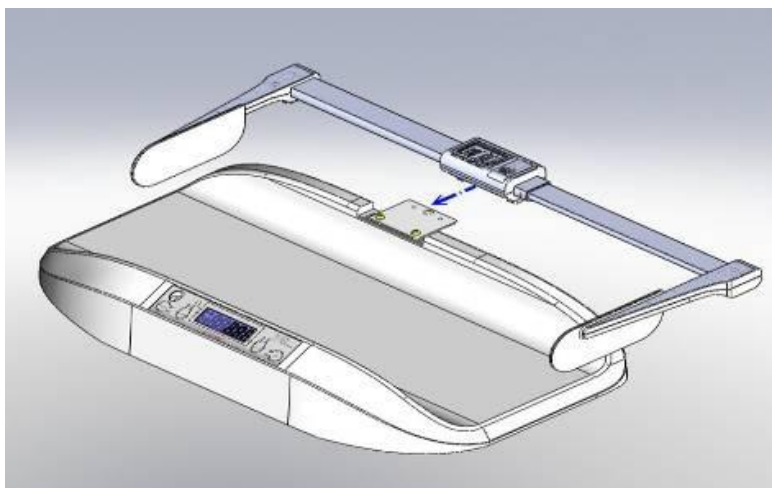
1. Remove bracket holder cover.



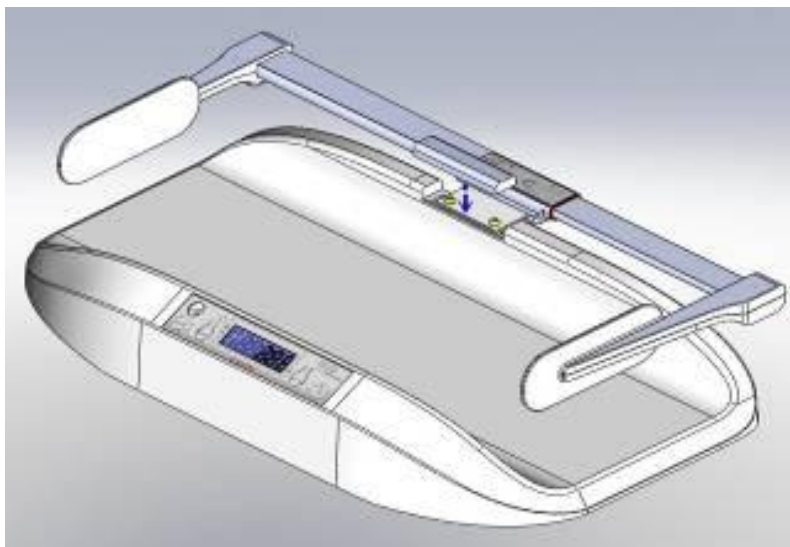
2. Attach bracket to device with two screws.



3. Attach height rod to bracket carefully until a click noise is heard.
(HM80D used as example, same procedure for HM80M)

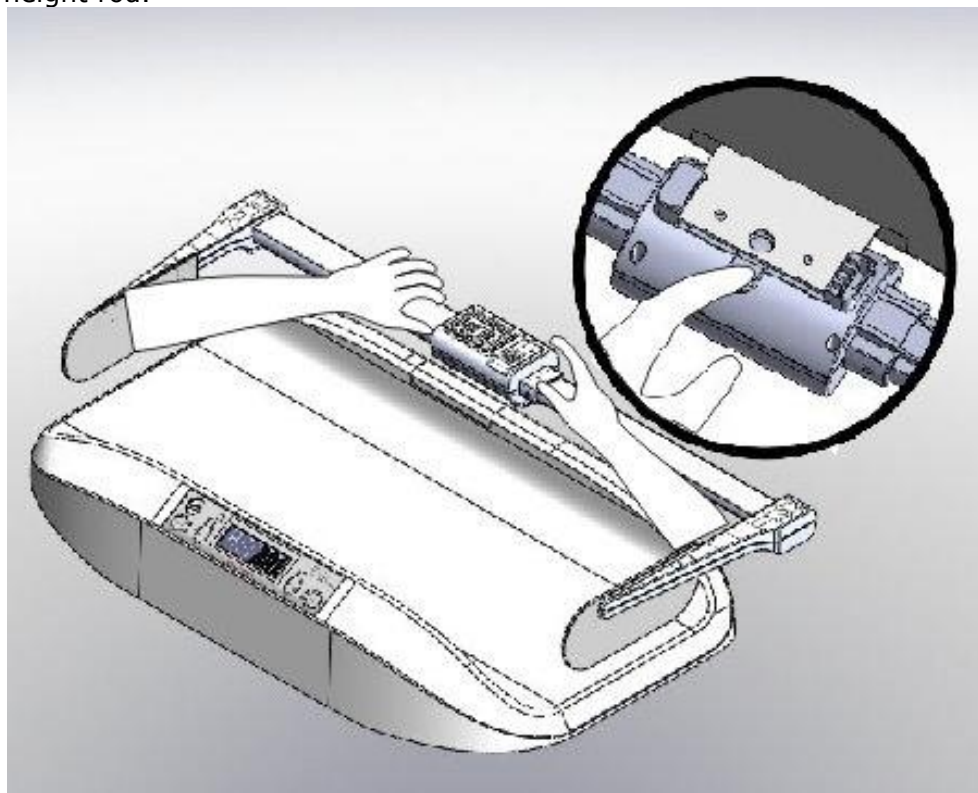


4. Install bracket holder cover.



5. Disassembling height rod

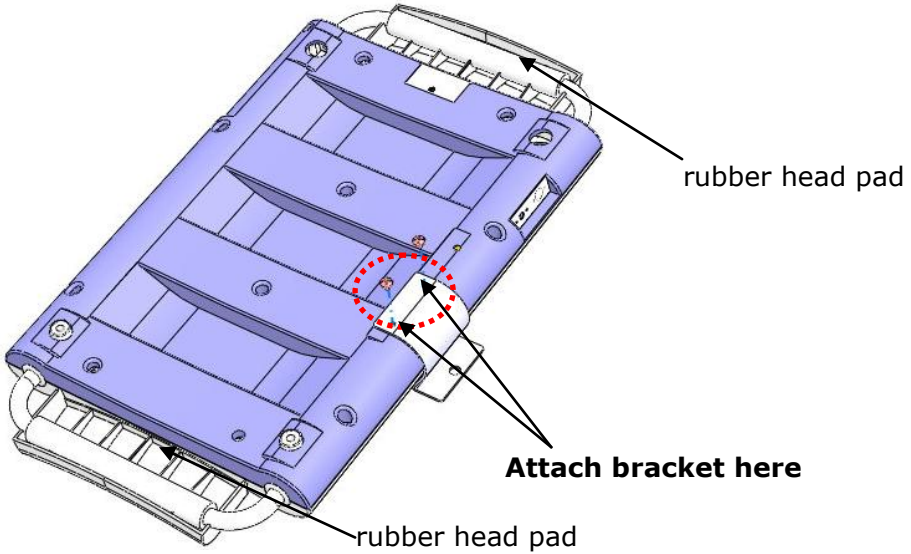
Locate buckle at bottom of height rod. Press down on buckle and slid out height rod.



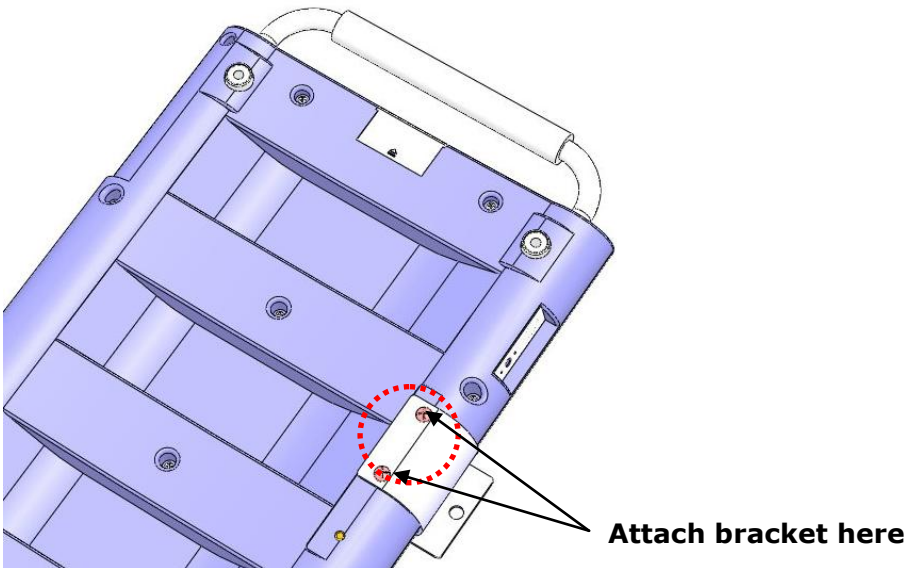
D. Assembly with MS2400 Infant Scale

1. Attach bracket to device, and fasten screws using screwdriver.

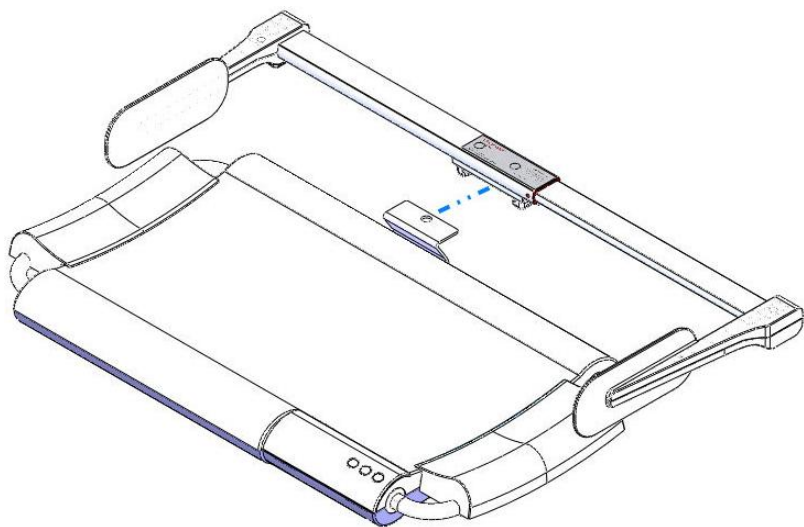
Version with rubber head pad



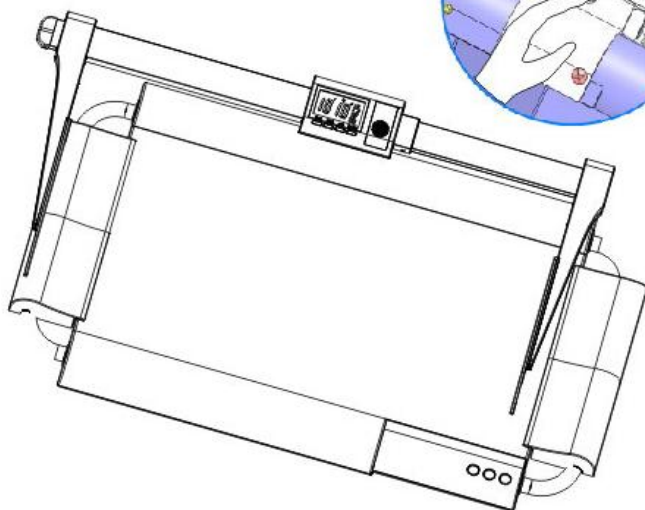
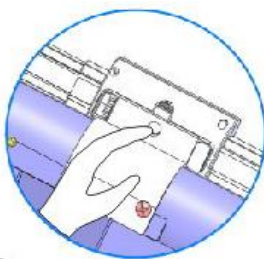
Version without rubber head pad



2. Connect height measure attachment (HM80D or HM80M) to bracket. A clicking noise will be heard.



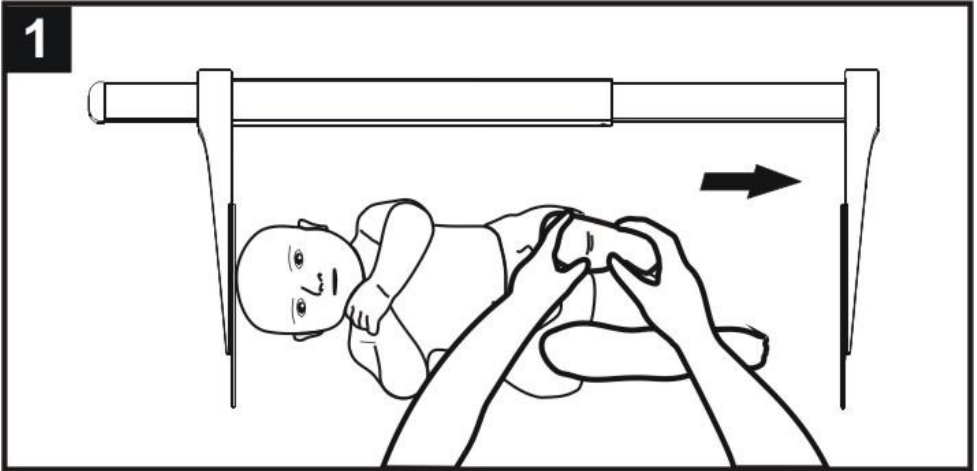
3. To detach height measure, find the latch located at the rear of the attachment. Press down on the buckle, and gently remove the attachment from bracket.



III. Using Device

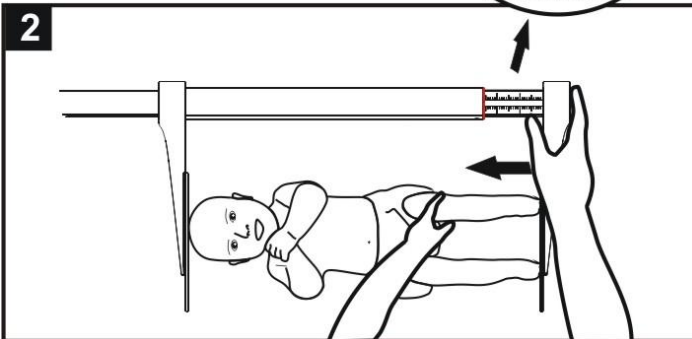
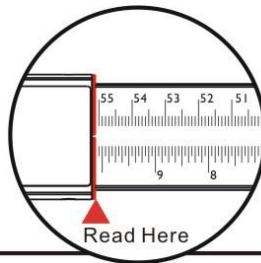
A. Performing measurement

1. Lay infant on flat platform, with head touching head stopper. Straighten infant's feet.



2. Use right hand to push foot stopper until it touches soles of infant's feet. Read measurement result.

Picture A




IV. Product Specifications

Model		HM80M
Height Measurement	Range	35-80 cm 13 3/4-31 1/2 in
	Graduation	1 mm 1/16 in
	Accuracy	±10 mm
Dimensions	Overall	870(W) x 290(D) x 70(H) mm
Device Weight		0.5 kg
Operation Temperature & Humidity		5°C~35°C
Optional Accessories		Bracket set for installation on compatible Charder Infant Scale
Standard Accessories		User manual x1

V. Declaration of Conformity

This product has been manufactured in accordance with the harmonized European standards, following the provisions of the below stated directives:

	93/42/EEC as amended by 2007/47/EC Medical Device Directive
---	--

Please see separate document showing on sticker of device for above CE marking.

Authorized EU Representative:



Obelis s.a.

Bd Général Wahis, 53
B-1030 Brussels
Belgium



Manufactured by:
Charder Electronic Co., Ltd.
No.103, Guozhong Rd., Dali Dist.,
Taichung City, 41262 Taiwan (R.O.C.)

CD-IN-1576 9065L 04/2021